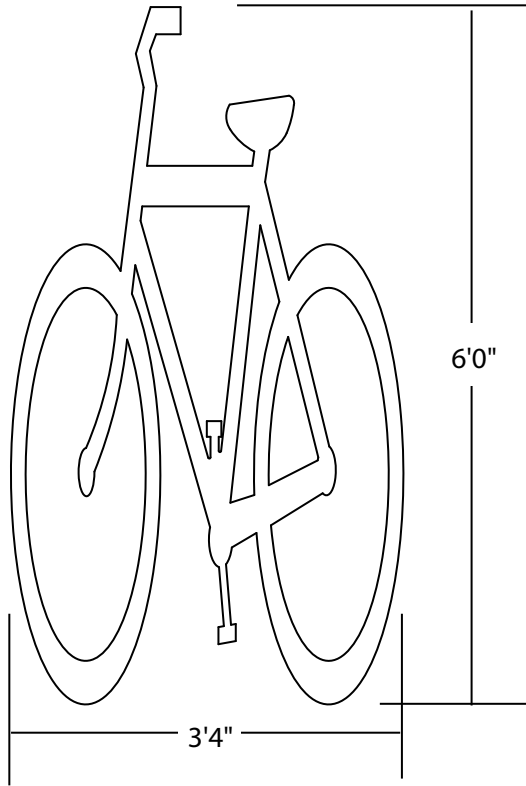


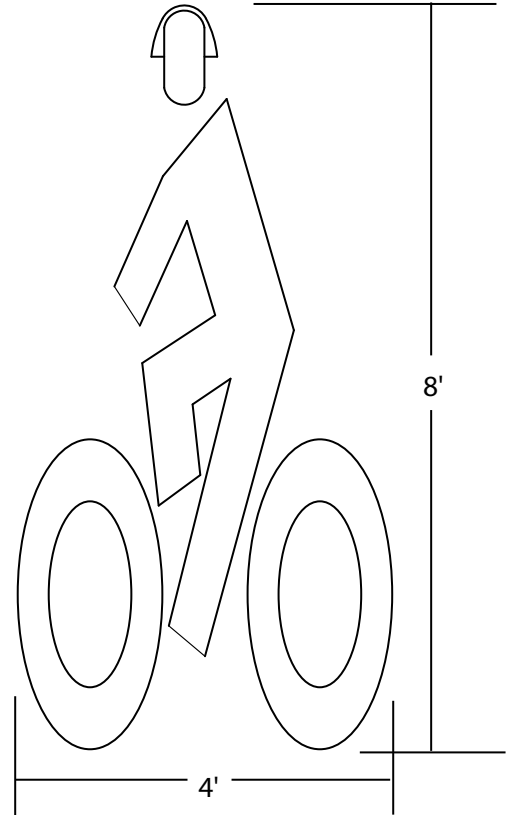
PreMark® Bike Lane Markings



Bicycle Symbol - FHWA

PreMark® Item # 89230576(+)
HS

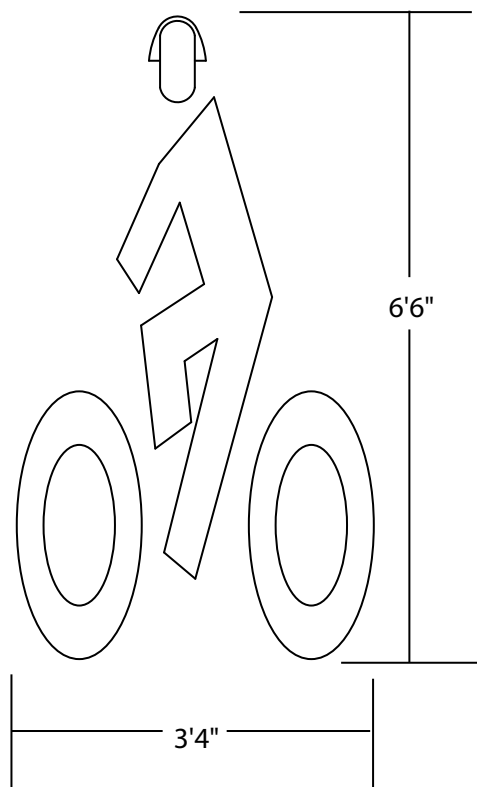
+ = L indicates left facing, R indicates right facing



Bicycle with Rider and Helmet

PreMark® Item # 89230223SP(+)
HS

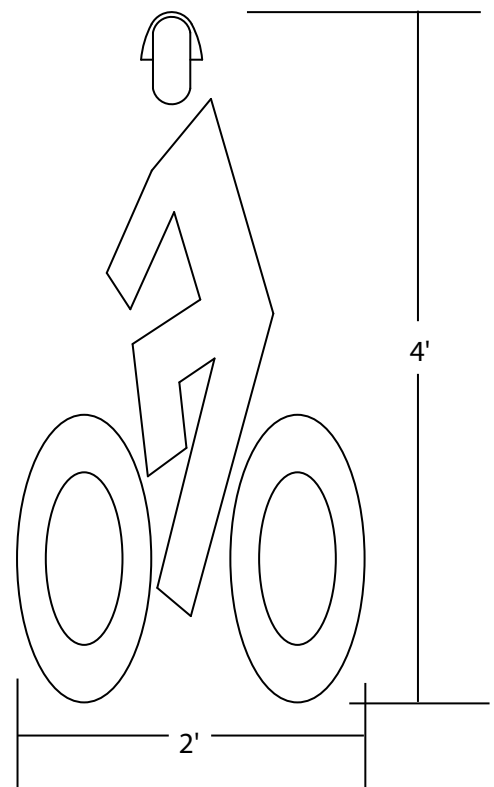
+ = L indicates left facing, R indicates right facing



Bicycle with Rider and Helmet

PreMark® Item # 89230524SP(+)
HS

+ = L indicates left facing, R indicates right facing



Bicycle with Rider and Helmet

PreMark® Item # 89230525SP(+)
HS

+ = L indicates left facing, R indicates right facing



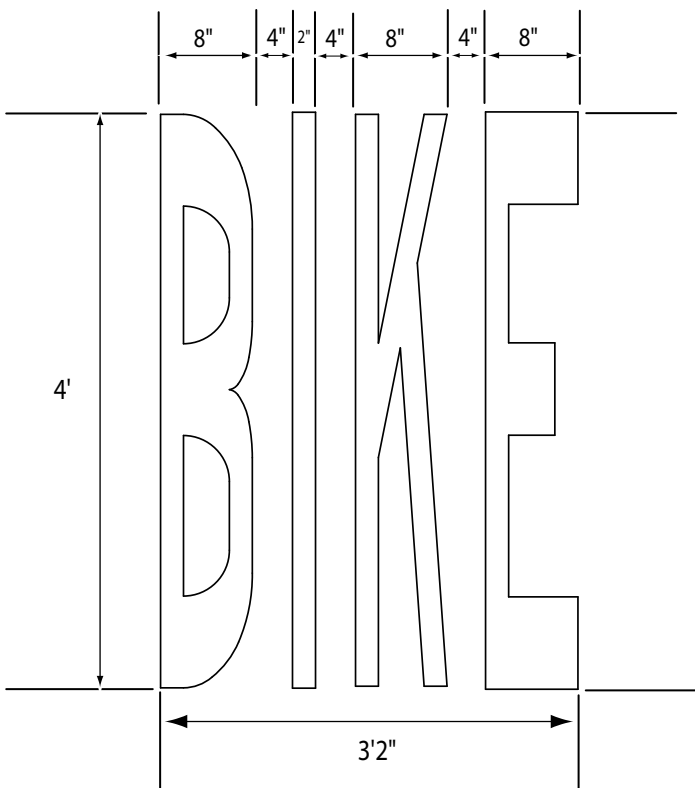
18" Diameter

No Bike Symbol
PreMark® Item # 89230528HS

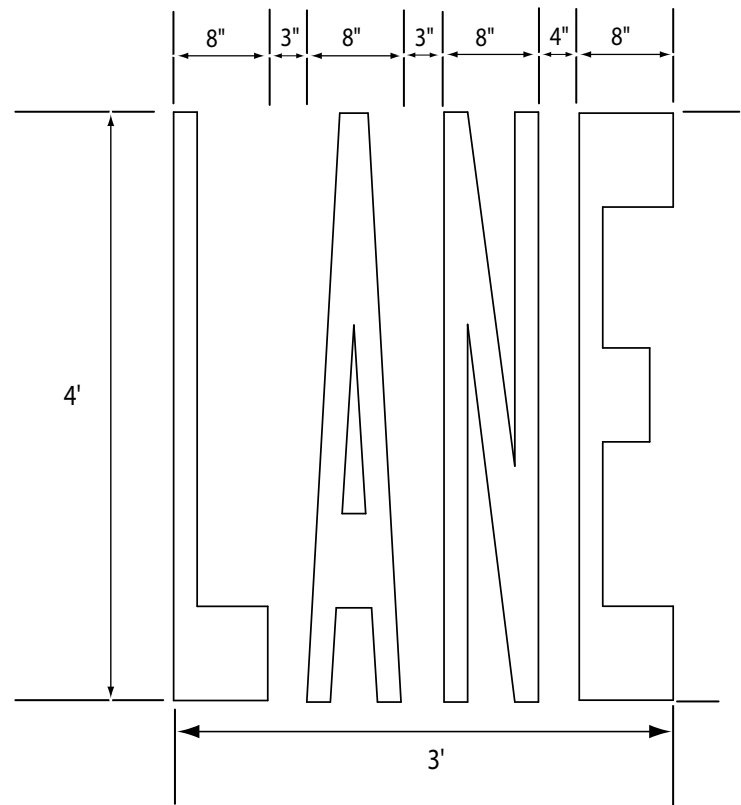


28" Diameter

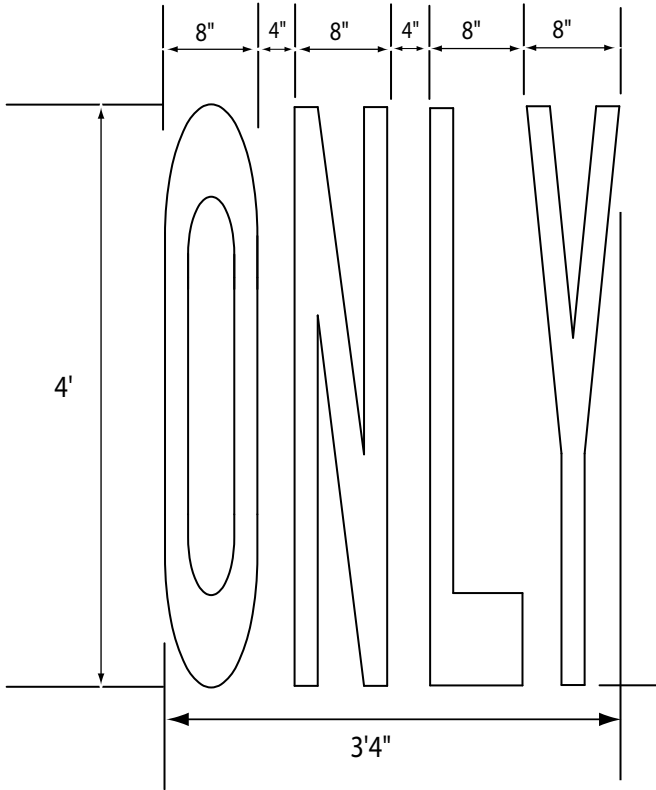
No Bike Symbol
PreMark® Item # 89230527HS



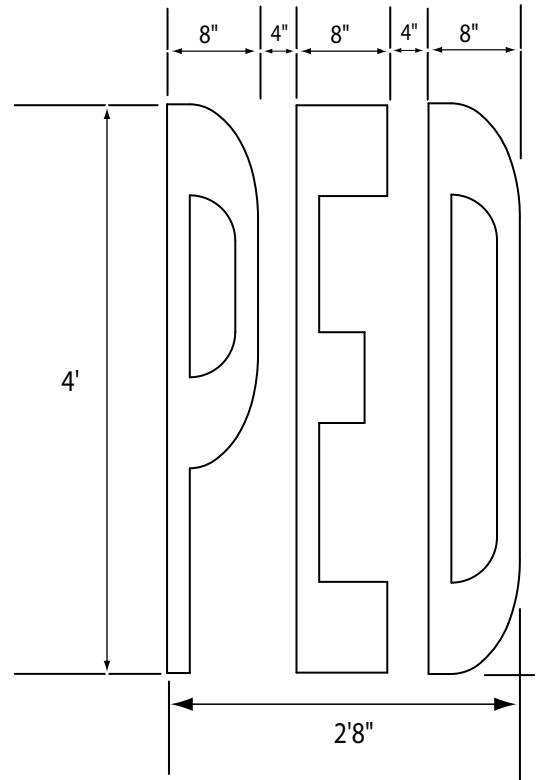
PreMark® Item # 89150248HS



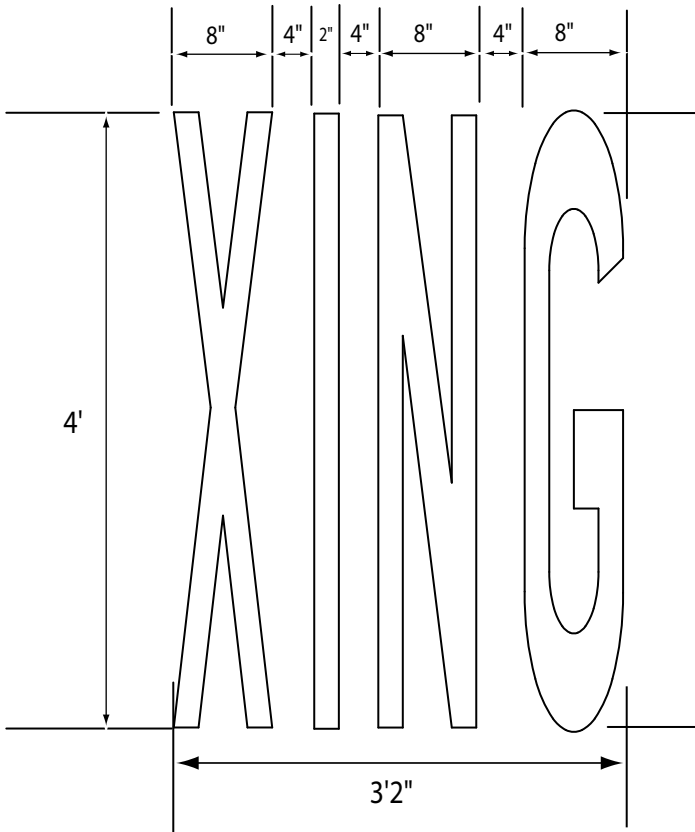
PreMark® Item # 89150213HS



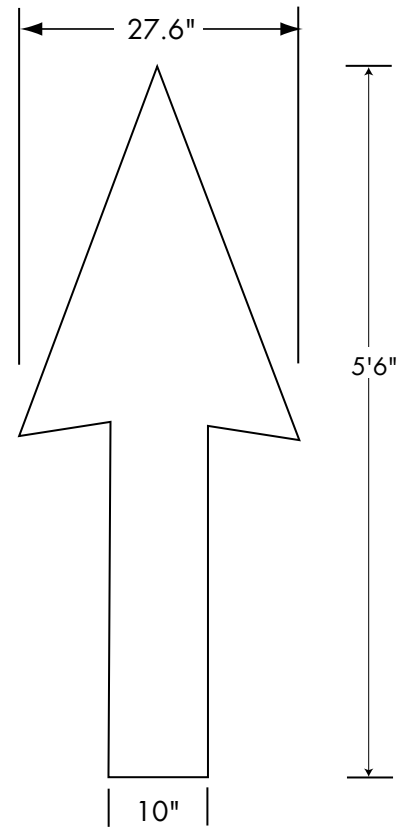
PreMark® Item # 89150202HS



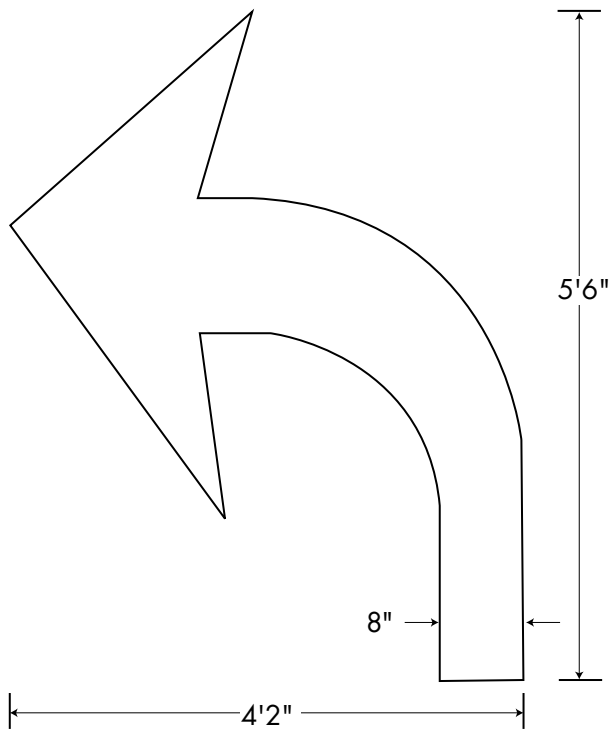
PreMark® Item # 89150214HS



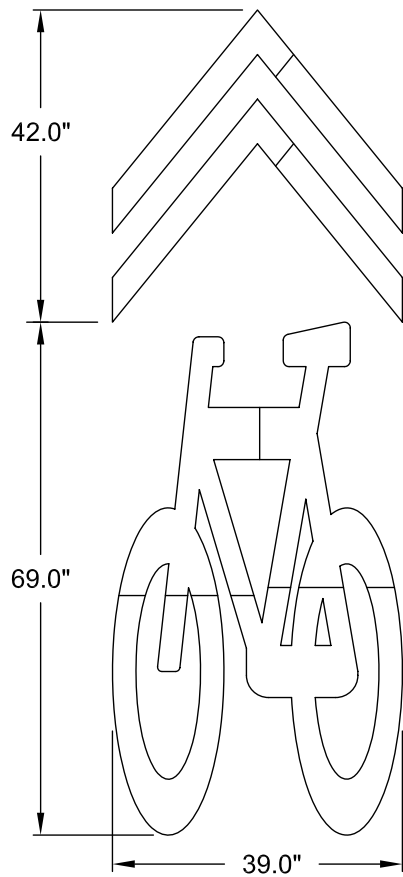
PreMark® Item # 89150207HS



Mini Straight Arrow for Bike Lane
PreMark® Item # 89330268HS



Mini Bike Lane Turn Arrow
PreMark[®] Item # 89330274HS



Shared Lane Symbol
PreMark[®] Item # 892301464HS